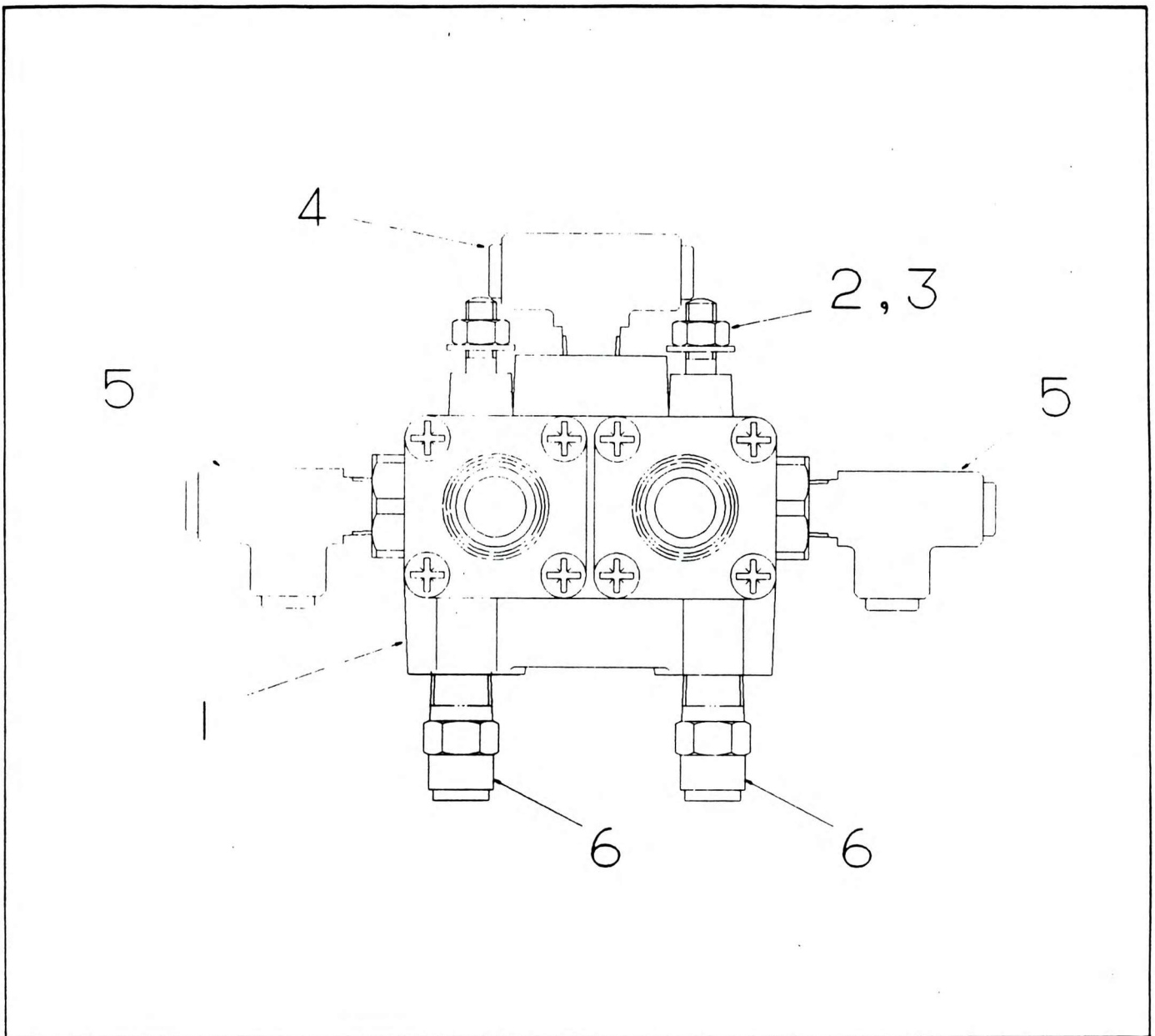


MULIT-CIRCUIT PROTECTION VALVE ASSEMBLY



NO.	PART NO.	QTY.	DESCRIPTION	NO.	PART NO.	QTY.	DESCRIPTION
1	8366563	1	Multi Protection Valve				
2	7069201	2	Nut Hex M8				
3	7066537	2	Washer Plain M8				
4	7-443-991002	1	Tee Adaptor				
5	7-443-990979	2	Tee Adaptor				
6	7-443-990969	2	Adaptor $\frac{3}{8}$ " NPTF x $\frac{1}{2}$ " Tube				